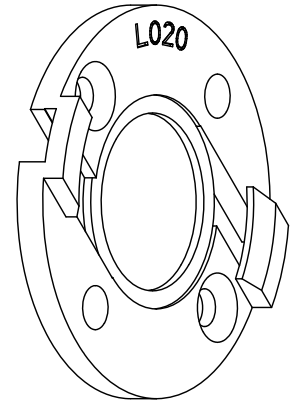
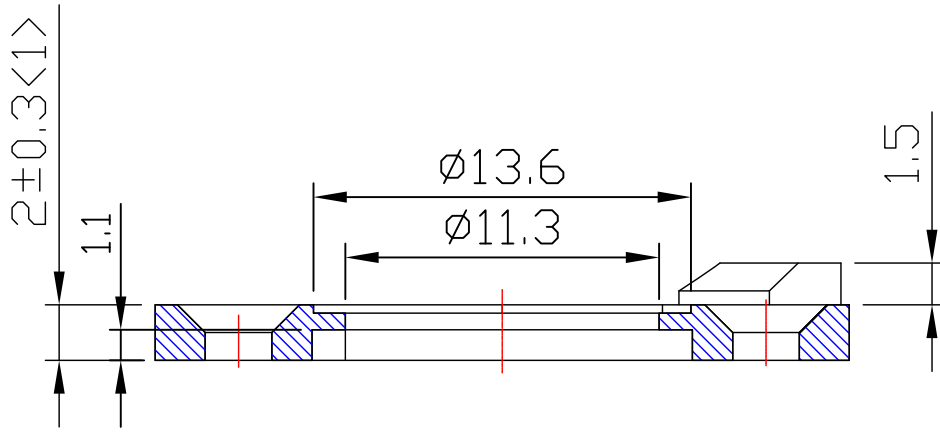
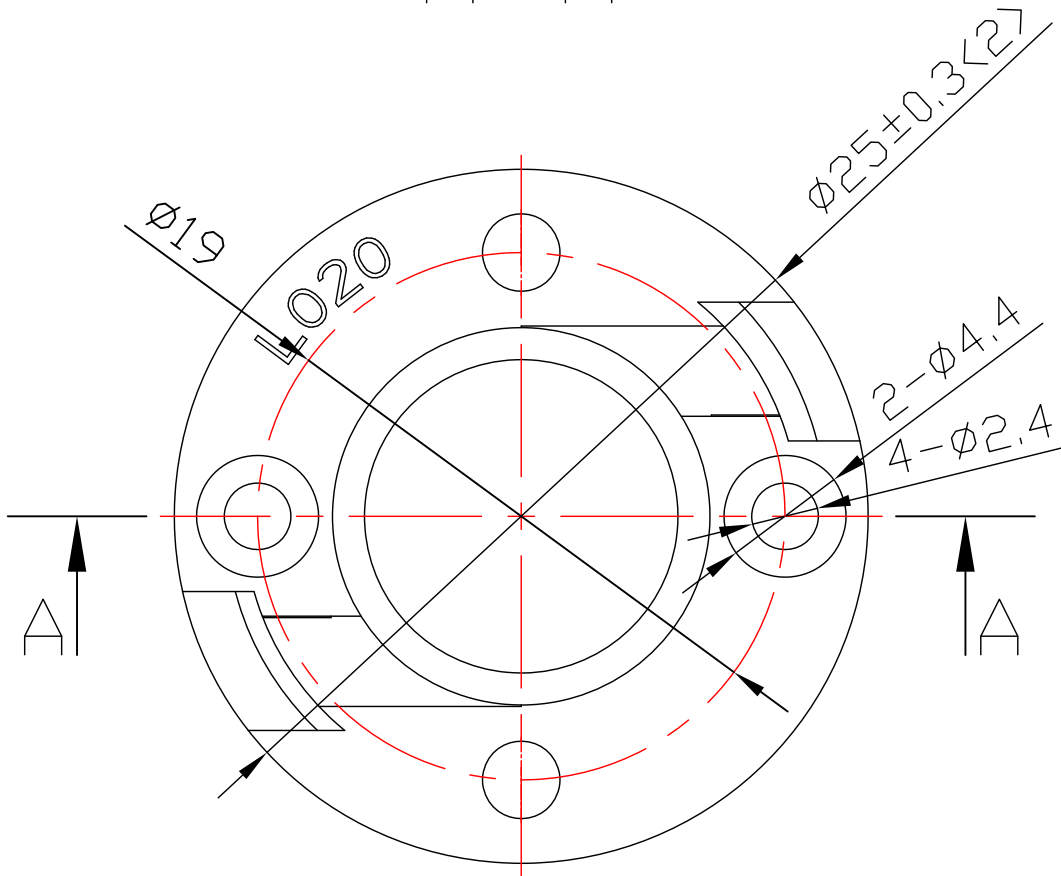


Table for unmentioned tolerance in the drawing (unit: mm)					
0-5	5-30	30-120	120-250	250-400	400-700
±0.15	±0.2	±0.5	±0.8	±1.5	±2



A - A



				Material:PC		Nata NATA Lighting Co.,Ltd	
△KO	1			Signature	Amended Date	Customer Item	
Mark	Amended Times	Amended Content		Client Version		Customer Code	
Control Version	A0	Design Version	K0	Proportion	1:1	Product Number	92.70.192.00
Designer		Drawing by		View		Product Name	L020白色塑胶支架 D25*H3.5
Technology		Auditor		Page	Total_ Page_		
Approval		Date	2019.04.20				